



Parallax PIC Programmer Conversion Kit

The PGM2PICWT Upgrade Kit contains the following items:

- New Firmware chip.
- PICwriter™ Serial Protocol Adapter.
- TechTools CDROM.

Upgrade Procedure

1. Remove all power and cable connections from your existing programmer. (these will be reused)
2. Using a chip removal tool, carefully remove and discard the existing Firmware chip. (take note of Pin 1 orientation)
3. Insert the new Firmware chip in the PICmicro socket with Pin 1 oriented the same as previously noted.
4. Remove and Discard your existing port adapter from the back of the PC, keeping the 4-wire RJ12 (Modular Telephone Type) cable.
5. Attach one end of the Modular cable to the back of the PICwriter Serial Protocol Adapter, and the other end to the programmer.
6. Firmly attach the PICwriter Serial Protocol Adapter to an empty SERIAL Port on your PC.
7. You can now re-connect power to your programmer and (if you haven't already) install the supporting software.

Software Installation

Complete supporting software is located on the TechTools CDROM, and includes:

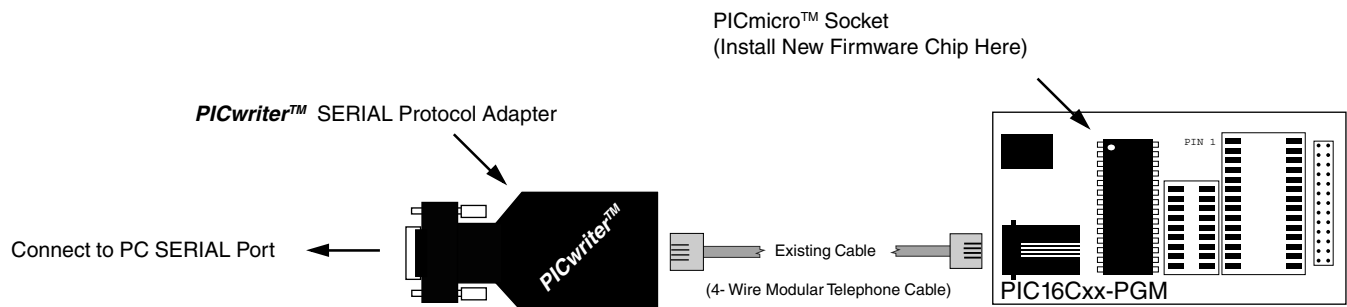
- PICwriter Programming & Editing Software for Windows.
- CVASM16 PIC Assembler.
- CVASM16 Documentation in PDF format.
- TechTools Design Environment.
- PIC Tools Help Files.

To install the Above files, insert the CD in your CDROM drive. If you have "auto run" enabled, the CD menu will launch automatically, or run the "Tech_cd.exe" program to launch the CD menu. After the CD menu has started, select the option for installation of our latest "PIC Tools" software. This will install the above mentioned files, create a Program Group called "PIC Tools" and insert shortcuts to the programming software and documentation. The CVASM16 assembler is a DOS executable which requires command-line parameters and can be executed by opening a DOS prompt and typing CVASM16.

For those of you who like to work completely in the Windows environment, you can also select the "TDE" icon from the PIC Tools program group to launch the TechTools Design Environment. TDE is a fully integrated Debugging Tool Designed to give users a highly productive work flow during PICmicro development. Even if you do not own our ClearView Mathias In-Circuit Emulator, you can still edit and compile your code and take advantage of TDE's source-line error referencing.

TechTools CDROM also includes several Compiler Demos, additional TechTools documents and other software.

(Note: A PDF viewer is required to view the electronic Data sheets and Manuals. If you do not have a PDF viewer, Adobe Acrobat Reader software is included on our CDROM .)



(972) 272-9392, FAX: (972) 494-5814, sales@tech-tools.com, http://www.tech-tools.com