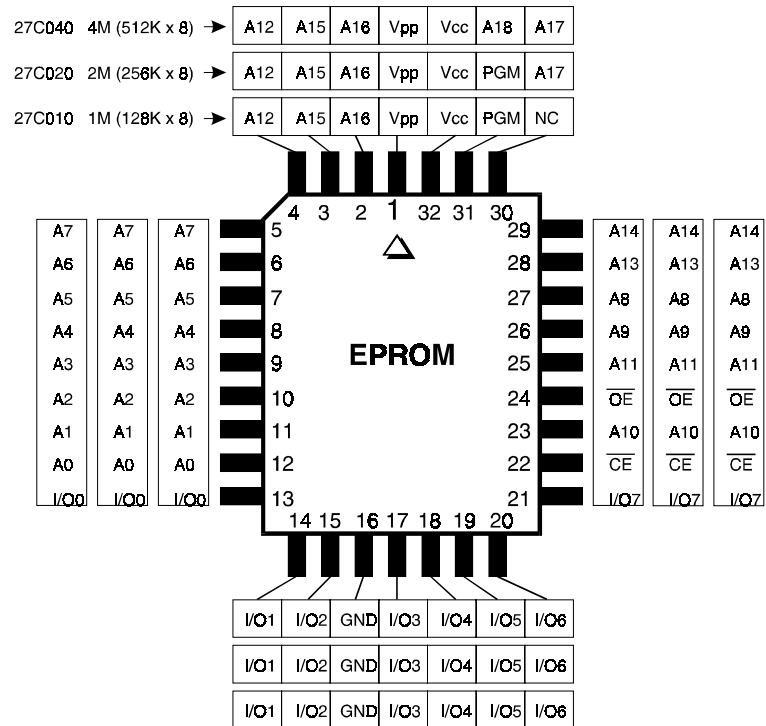


## 8 bit PLCC EPROMs ( 1Mbit and larger )



Standard PLCC EPROM pinouts (27C010-27C040)



**TechTools**  
P.O. Box 462101, Garland, TX 75046  
(214) 272-9392 FAX: (214) 494-5814

C				DATE:	01/24/96	ITEM#	JD-794	DEVICE PINOUTS
								SHEET 04 OF 5
								EPROM - PLCC>=1M